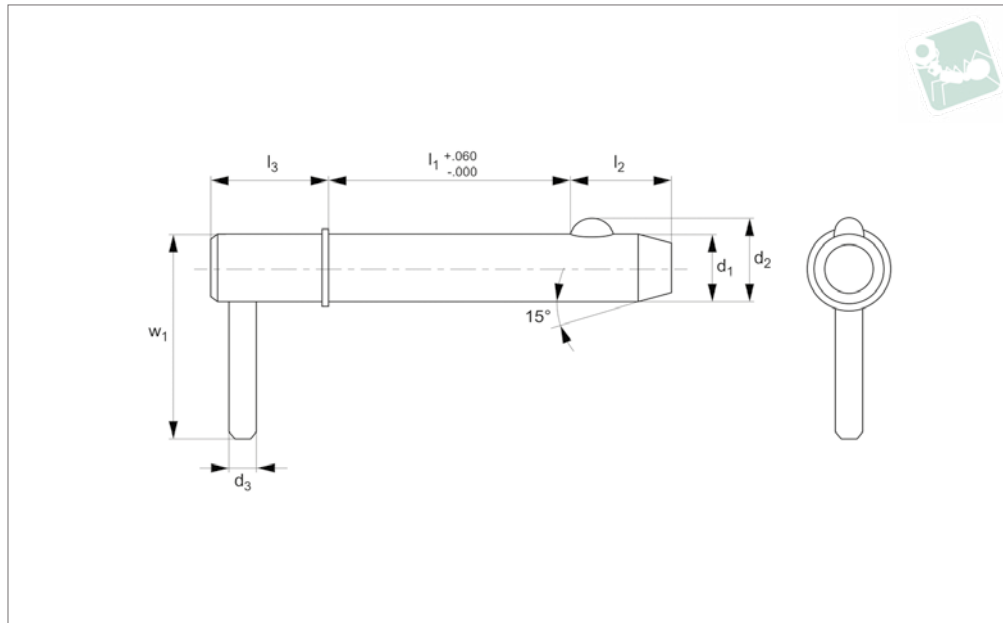




Detent Pin - L Handle - Shoulder

stainless steel

Pull Pins



PP1220

PULL PINS

Material

Shaft: Stainless steel, AISI 303.

Ball & Spring: Stainless steel, AISI 316.

Technical Notes

Detent pins are very economical for use in commercial and military equipment.

The solid body with direct spring loaded ball ensures reliable operation.

For locking telescopic tubing, securing bracket assemblies, as anchor clevis fittings, hinge pins etc where frequent removal is necessary.

Hole sizes - commercial drills provide clearance for our standard pins.

Inch dimensions in brackets ().

Tips

Also available on request in A4 (AISI 316) stainless steel, subject to min. quantity.

| Order No. | d ₁ +0.00 -0.08 | l ₁ +1.5 -0.0 | d ₂ | d ₃ | l ₂ | l ₃ | Pull out strength kg | w ₁ | Single shear strength kN min. |
|------------------|-------------------------------|-----------------------------|----------------|----------------|----------------|----------------|-------------------------|----------------|-------------------------------------|
| PP1220.018-030-S | 4,76 (3/16") | 7,62 (0,3") | 5.18 | 2.38 | 5.08 | 17.45 | 1,9 - 2,3 | 25.4 | 12.2 |
| PP1220.018-050-S | 4,76 (3/16") | 12,7 (0,5") | 5.18 | 2.38 | 5.08 | 17.45 | 1,9 - 2,3 | 25.4 | 12.2 |
| PP1220.018-100-S | 4,76 (3/16") | 25,4 (1") | 5.18 | 2.38 | 5.08 | 17.45 | 1,9 - 2,3 | 25.4 | 12.2 |
| PP1220.018-150-S | 4,76 (3/16") | 38,1 (1,5") | 5.18 | 2.38 | 5.08 | 17.45 | 1,9 - 2,3 | 25.4 | 12.2 |
| PP1220.018-200-S | 4,76 (3/16") | 50,8 (2") | 5.18 | 2.38 | 5.08 | 17.45 | 1,9 - 2,3 | 25.4 | 12.2 |
| PP1220.018-250-S | 4,76 (3/16") | 63,5 (2,5") | 5.18 | 2.38 | 5.08 | 17.45 | 1,9 - 2,3 | 25.4 | 12.2 |
| PP1220.018-300-S | 4,76 (3/16") | 76,2 (3") | 5.18 | 2.38 | 5.08 | 17.45 | 1,9 - 2,3 | 25.4 | 12.2 |
| PP1220.018-350-S | 4,76 (3/16") | 88,9 (3,5") | 5.18 | 2.38 | 5.08 | 17.45 | 1,9 - 2,3 | 25.4 | 12.2 |
| PP1220.018-400-S | 4,76 (3/16") | 101,6 (4") | 5.18 | 2.38 | 5.08 | 17.45 | 1,9 - 2,3 | 25.4 | 12.2 |
| PP1220.025-050-S | 6,35 (1/4") | 12,7 (0,5") | 7.26 | 3.17 | 7.92 | 18.29 | 2,27 - 2,73 | 25.4 | 21.7 |
| PP1220.025-060-S | 6,35 (1/4") | 15,24 (0,6") | 7.26 | 3.17 | 7.92 | 18.29 | 2,27 - 2,73 | 25.4 | 21.7 |
| PP1220.025-100-S | 6,35 (1/4") | 25,4 (1") | 7.26 | 3.17 | 7.92 | 18.29 | 2,27 - 2,73 | 25.4 | 21.7 |
| PP1220.025-150-S | 6,35 (1/4") | 38,1 (1,5") | 7.26 | 3.17 | 7.92 | 18.29 | 2,27 - 2,73 | 25.4 | 21.7 |
| PP1220.025-200-S | 6,35 (1/4") | 50,8 (2") | 7.26 | 3.17 | 7.92 | 18.29 | 2,27 - 2,73 | 25.4 | 21.7 |
| PP1220.025-250-S | 6,35 (1/4") | 63,5 (2,5") | 7.26 | 3.17 | 7.92 | 18.29 | 2,27 - 2,73 | 25.4 | 21.7 |
| PP1220.025-300-S | 6,35 (1/4") | 76,2 (3") | 7.26 | 3.17 | 7.92 | 18.29 | 2,27 - 2,73 | 25.4 | 21.7 |
| PP1220.025-350-S | 6,35 (1/4") | 88,9 (3,5") | 7.26 | 3.17 | 7.92 | 18.29 | 2,27 - 2,73 | 25.4 | 21.7 |
| PP1220.025-400-S | 6,35 (1/4") | 101,6 (4") | 7.26 | 3.17 | 7.92 | 18.29 | 2,27 - 2,73 | 25.4 | 21.7 |
| PP1220.031-050-S | 7,94 (5/16") | 12,7 (0,5") | 9.09 | 3.96 | 9.53 | 19.05 | 2,27 - 2,73 | 25.4 | 33.8 |
| PP1220.031-100-S | 7,94 (5/16") | 25,4 (1") | 9.09 | 3.96 | 9.53 | 19.05 | 2,27 - 2,73 | 25.4 | 33.8 |
| PP1220.031-150-S | 7,94 (5/16") | 38,1 (1,5") | 9.09 | 3.96 | 9.53 | 19.05 | 2,27 - 2,73 | 25.4 | 33.8 |
| PP1220.031-200-S | 7,94 (5/16") | 50,8 (2") | 9.09 | 3.96 | 9.53 | 19.05 | 2,27 - 2,73 | 25.4 | 33.8 |
| PP1220.031-250-S | 7,94 (5/16") | 63,5 (2,5") | 9.09 | 3.96 | 9.53 | 19.05 | 2,27 - 2,73 | 25.4 | 33.8 |
| PP1220.031-300-S | 7,94 (5/16") | 76,2 (3") | 9.09 | 3.96 | 9.53 | 19.05 | 2,27 - 2,73 | 25.4 | 33.8 |
| PP1220.031-350-S | 7,94 (5/16") | 88,9 (3,5") | 9.09 | 3.96 | 9.53 | 19.05 | 2,27 - 2,73 | 25.4 | 33.8 |
| PP1220.031-400-S | 7,94 (5/16") | 101,6 (4") | 9.09 | 3.96 | 9.53 | 19.05 | 2,27 - 2,73 | 25.4 | 33.8 |
| PP1220.031-450-S | 7,94 (5/16") | 114,3 (4,5") | 9.09 | 3.96 | 9.53 | 19.05 | 2,27 - 2,73 | 25.4 | 33.8 |
| PP1220.031-500-S | 7,94 (5/16") | 127 (5") | 9.09 | 3.96 | 9.53 | 19.05 | 2,27 - 2,73 | 25.4 | 33.8 |
| PP1220.037-050-S | 9,53 (3,8") | 12,7 (0,5") | 10.82 | 3.96 | 12.7 | 19.05 | 3,63 - 4,54 | 25.4 | 49.1 |
| PP1220.037-060-S | 9,53 (3,8") | 15,24 (0,6") | 10.82 | 3.96 | 12.7 | 19.05 | 3,63 - 4,54 | 25.4 | 49.1 |



PULL PINS

| Order No. | d_1 +0.00 -0.08 | l_1 +1.5 -0.0 | d_2 | d_3 | l_2 | l_3 | Pull out strength kg | w_1 | Single shear strength kN min. |
|------------------|----------------------|--------------------|-------|-------|-------|-------|-------------------------|-------|-------------------------------------|
| PP1220.037-100-S | 9,53 (3,8") | 25,4 (1") | 10,82 | 3,96 | 12,7 | 19,05 | 3,63 - 4,54 | 25,4 | 49,1 |
| PP1220.037-150-S | 9,53 (3,8") | 38,1 (1,5") | 10,82 | 3,96 | 12,7 | 19,05 | 3,63 - 4,54 | 25,4 | 49,1 |
| PP1220.037-180-S | 9,53 (3,8") | 45,72 (1,8") | 10,82 | 3,96 | 12,7 | 19,05 | 3,63 - 4,54 | 25,4 | 49,1 |
| PP1220.037-200-S | 9,53 (3,8") | 50,8 (2") | 10,82 | 3,96 | 12,7 | 19,05 | 3,63 - 4,54 | 25,4 | 49,1 |
| PP1220.037-250-S | 9,53 (3,8") | 63,5 (2,5") | 10,82 | 3,96 | 12,7 | 19,05 | 3,63 - 4,54 | 25,4 | 49,1 |
| PP1220.037-300-S | 9,53 (3,8") | 76,2 (3") | 10,82 | 3,96 | 12,7 | 19,05 | 3,63 - 4,54 | 25,4 | 49,1 |
| PP1220.037-350-S | 9,53 (3,8") | 88,9 (3,5") | 10,82 | 3,96 | 12,7 | 19,05 | 3,63 - 4,54 | 25,4 | 49,1 |
| PP1220.037-400-S | 9,53 (3,8") | 101,6 (4") | 10,82 | 3,96 | 12,7 | 19,05 | 3,63 - 4,54 | 25,4 | 49,1 |
| PP1220.037-450-S | 9,53 (3,8") | 114,3 (4,5") | 10,82 | 3,96 | 12,7 | 19,05 | 3,63 - 4,54 | 25,4 | 49,1 |
| PP1220.037-500-S | 9,53 (3,8") | 127 (5") | 10,82 | 3,96 | 12,7 | 19,05 | 3,63 - 4,54 | 25,4 | 49,1 |
| PP1220.037-550-S | 9,53 (3,8") | 139,7 (5,5") | 10,82 | 3,96 | 12,7 | 19,05 | 3,63 - 4,54 | 25,4 | 49,1 |
| PP1220.037-600-S | 9,53 (3,8") | 152,4 (6") | 10,82 | 3,96 | 12,7 | 19,05 | 3,63 - 4,54 | 25,4 | 49,1 |
| PP1220.043-050-S | 11,11(7/16") | 12,7 (0,5") | 12,6 | 3,96 | 14,27 | 24,13 | 4,09 - 5,45 | 25,4 | 66,5 |
| PP1220.043-100-S | 11,11(7/16") | 25,4 (1") | 12,6 | 3,96 | 14,27 | 24,13 | 4,09 - 5,45 | 25,4 | 66,5 |
| PP1220.043-150-S | 11,11(7/16") | 38,1 (1,5") | 12,6 | 3,96 | 14,27 | 24,13 | 4,09 - 5,45 | 25,4 | 66,5 |
| PP1220.043-200-S | 11,11(7/16") | 50,8 (2") | 12,6 | 3,96 | 14,27 | 24,13 | 4,09 - 5,45 | 25,4 | 66,5 |
| PP1220.043-250-S | 11,11(7/16") | 63,5 (2,5") | 12,6 | 3,96 | 14,27 | 24,13 | 4,09 - 5,45 | 25,4 | 66,5 |
| PP1220.043-300-S | 11,11(7/16") | 76,2 (3") | 12,6 | 3,96 | 14,27 | 24,13 | 4,09 - 5,45 | 25,4 | 66,5 |
| PP1220.043-350-S | 11,11(7/16") | 88,9 (3,5") | 12,6 | 3,96 | 14,27 | 24,13 | 4,09 - 5,45 | 25,4 | 66,5 |
| PP1220.043-400-S | 11,11(7/16") | 101,6 (4") | 12,6 | 3,96 | 14,27 | 24,13 | 4,09 - 5,45 | 25,4 | 66,5 |
| PP1220.043-450-S | 11,11(7/16") | 114,3 (4,5") | 12,6 | 3,96 | 14,27 | 24,13 | 4,09 - 5,45 | 25,4 | 66,5 |
| PP1220.043-500-S | 11,11(7/16") | 127 (5") | 12,6 | 3,96 | 14,27 | 24,13 | 4,09 - 5,45 | 25,4 | 66,5 |
| PP1220.043-550-S | 11,11(7/16") | 139,7 (5,5") | 12,6 | 3,96 | 14,27 | 24,13 | 4,09 - 5,45 | 25,4 | 66,5 |
| PP1220.043-600-S | 11,11(7/16") | 152,4 (6") | 12,6 | 3,96 | 14,27 | 24,13 | 4,09 - 5,45 | 25,4 | 66,5 |
| PP1220.050-050-S | 12,7 (1/2") | 12,7 (0,5") | 14,48 | 4,76 | 15,88 | 25,7 | 4,54 - 5,45 | 31,75 | 87,1 |
| PP1220.050-100-S | 12,7 (1/2") | 25,4 (1") | 14,48 | 4,76 | 15,88 | 25,7 | 4,54 - 5,45 | 31,75 | 87,1 |
| PP1220.050-130-S | 12,7 (1/2") | 33,02 (1,3") | 14,48 | 4,76 | 15,88 | 25,7 | 4,54 - 5,45 | 31,75 | 87,1 |
| PP1220.050-150-S | 12,7 (1/2") | 38,1 (1,5") | 14,48 | 4,76 | 15,88 | 25,7 | 4,54 - 5,45 | 31,75 | 87,1 |
| PP1220.050-200-S | 12,7 (1/2") | 50,8 (2") | 14,48 | 4,76 | 15,88 | 25,7 | 4,54 - 5,45 | 31,75 | 87,1 |
| PP1220.050-250-S | 12,7 (1/2") | 63,5 (2,5") | 14,48 | 4,76 | 15,88 | 25,7 | 4,54 - 5,45 | 31,75 | 87,1 |
| PP1220.050-350-S | 12,7 (1/2") | 88,9 (3,5") | 14,48 | 4,76 | 15,88 | 25,7 | 4,54 - 5,45 | 31,75 | 87,1 |
| PP1220.050-400-S | 12,7 (1/2") | 101,6 (4") | 14,48 | 4,76 | 15,88 | 25,7 | 4,54 - 5,45 | 31,75 | 87,1 |
| PP1220.050-450-S | 12,7 (1/2") | 114,3 (4,5") | 14,48 | 4,76 | 15,88 | 25,7 | 4,54 - 5,45 | 31,75 | 87,1 |
| PP1220.050-500-S | 12,7 (1/2") | 127 (5") | 14,48 | 4,76 | 15,88 | 25,7 | 4,54 - 5,45 | 31,75 | 87,1 |
| PP1220.050-550-S | 12,7 (1/2") | 139,7 (5,5") | 14,48 | 4,76 | 15,88 | 25,7 | 4,54 - 5,45 | 31,75 | 87,1 |
| PP1220.050-600-S | 12,7 (1/2") | 152,4 (6") | 14,48 | 4,76 | 15,88 | 25,7 | 4,54 - 5,45 | 31,75 | 87,1 |
| PP1220.050-650-S | 12,7 (1/2") | 165,1 (6,5") | 14,48 | 4,76 | 15,88 | 25,7 | 4,54 - 5,45 | 31,75 | 87,1 |
| PP1220.050-700-S | 12,7 (1/2") | 177,8 (7") | 14,48 | 4,76 | 15,88 | 25,7 | 4,54 - 5,45 | 31,75 | 87,1 |
| PP1220.056-100-S | 14,29 (9/16") | 25,4 (1") | 16,31 | 4,76 | 17,45 | 25,7 | 5,45 - 6,81 | 31,75 | 110,3 |
| PP1220.056-150-S | 14,29 (9/16") | 38,1 (1,5") | 16,31 | 4,76 | 17,45 | 25,7 | 5,45 - 6,81 | 31,75 | 110,3 |
| PP1220.056-200-S | 14,29 (9/16") | 50,8 (2") | 16,31 | 4,76 | 17,45 | 25,7 | 5,45 - 6,81 | 31,75 | 110,3 |
| PP1220.056-250-S | 14,29 (9/16") | 63,5 (2,5") | 16,31 | 4,76 | 17,45 | 25,7 | 5,45 - 6,81 | 31,75 | 110,3 |
| PP1220.056-300-S | 14,29 (9/16") | 76,2 (3") | 16,31 | 4,76 | 17,45 | 25,7 | 5,45 - 6,81 | 31,75 | 110,3 |
| PP1220.056-350-S | 14,29 (9/16") | 88,9 (3,5") | 16,31 | 4,76 | 17,45 | 25,7 | 5,45 - 6,81 | 31,75 | 110,3 |
| PP1220.056-400-S | 14,29 (9/16") | 101,6 (4") | 16,31 | 4,76 | 17,45 | 25,7 | 5,45 - 6,81 | 31,75 | 110,3 |
| PP1220.056-450-S | 14,29 (9/16") | 114,3 (4,5") | 16,31 | 4,76 | 17,45 | 25,7 | 5,45 - 6,81 | 31,75 | 110,3 |
| PP1220.056-500-S | 14,29 (9/16") | 127 (5") | 16,31 | 4,76 | 17,45 | 25,7 | 5,45 - 6,81 | 31,75 | 110,3 |
| PP1220.056-550-S | 14,29 (9/16") | 139,7 (5,5") | 16,31 | 4,76 | 17,45 | 25,7 | 5,45 - 6,81 | 31,75 | 110,3 |
| PP1220.056-600-S | 14,29 (9/16") | 152,4 (6") | 16,31 | 4,76 | 17,45 | 25,7 | 5,45 - 6,81 | 31,75 | 110,3 |
| PP1220.056-700-S | 14,29 (9/16") | 177,8 (7") | 16,31 | 4,76 | 17,45 | 25,7 | 5,45 - 6,81 | 31,75 | 110,3 |
| PP1220.062-100-S | 15,88 (5/8") | 25,4 (1") | 18,03 | 6,35 | 19,05 | 27,31 | 6,36 - 7,26 | 31,75 | 137,3 |
| PP1220.062-150-S | 15,88 (5/8") | 38,1 (1,5") | 18,03 | 6,35 | 19,05 | 27,31 | 6,36 - 7,26 | 31,75 | 137,3 |
| PP1220.062-200-S | 15,88 (5/8") | 50,8 (2") | 18,03 | 6,35 | 19,05 | 27,31 | 6,36 - 7,26 | 31,75 | 137,3 |
| PP1220.062-250-S | 15,88 (5/8") | 63,5 (2,5") | 18,03 | 6,35 | 19,05 | 27,31 | 6,36 - 7,26 | 31,75 | 137,3 |
| PP1220.062-300-S | 15,88 (5/8") | 76,2 (3") | 18,03 | 6,35 | 19,05 | 27,31 | 6,36 - 7,26 | 31,75 | 137,3 |
| PP1220.062-350-S | 15,88 (5/8") | 88,9 (3,5") | 18,03 | 6,35 | 19,05 | 27,31 | 6,36 - 7,26 | 31,75 | 137,3 |
| PP1220.062-400-S | 15,88 (5/8") | 101,6 (4") | 18,03 | 6,35 | 19,05 | 27,31 | 6,36 - 7,26 | 31,75 | 137,3 |
| PP1220.062-450-S | 15,88 (5/8") | 114,3 (4,5") | 18,03 | 6,35 | 19,05 | 27,31 | 6,36 - 7,26 | 31,75 | 137,3 |
| PP1220.062-500-S | 15,88 (5/8") | 127 (5") | 18,03 | 6,35 | 19,05 | 27,31 | 6,36 - 7,26 | 31,75 | 137,3 |
| PP1220.062-550-S | 15,88 (5/8") | 139,7 (5,5") | 18,03 | 6,35 | 19,05 | 27,31 | 6,36 - 7,26 | 31,75 | 137,3 |
| PP1220.062-600-S | 15,88 (5/8") | 152,4 (6") | 18,03 | 6,35 | 19,05 | 27,31 | 6,36 - 7,26 | 31,75 | 137,3 |
| PP1220.062-700-S | 15,88 (5/8") | 177,8 (7") | 18,03 | 6,35 | 19,05 | 27,31 | 6,36 - 7,26 | 31,75 | 137,3 |
| PP1220.062-800-S | 15,88 (5/8") | 203,2 (8") | 18,03 | 6,35 | 19,05 | 27,31 | 6,36 - 7,26 | 31,75 | 137,3 |
| PP1220.075-100-S | 19,05 (3/4") | 25,4 (1") | 21,74 | 6,35 | 23,8 | 34,93 | 8,17 - 9,98 | 38,1 | 195,9 |
| PP1220.075-150-S | 19,05 (3/4") | 38,1 (1,5") | 21,74 | 6,35 | 23,8 | 34,93 | 8,17 - 9,98 | 38,1 | 195,9 |
| PP1220.075-200-S | 19,05 (3/4") | 50,8 (2") | 21,74 | 6,35 | 23,8 | 34,93 | 8,17 - 9,98 | 38,1 | 195,9 |
| PP1220.075-250-S | 19,05 (3/4") | 63,5 (2,5") | 21,74 | 6,35 | 23,8 | 34,93 | 8,17 - 9,98 | 38,1 | 195,9 |



Detent Pin - L Handle - Shoulder

stainless steel

Pull Pins

| Order No. | d_1 +0.00 -0.08 | l_1 +1.5 -0.0 | d_2 | d_3 | l_2 | l_3 | Pull out strength kg | w_1 | Single shear strength kN min. |
|------------------|----------------------|--------------------|-------|-------|-------|-------|-------------------------|-------|-------------------------------------|
| PP1220.075-300-S | 19,05 (3/4") | 76,2 (3") | 21.74 | 6.35 | 23.8 | 34.93 | 8,17 - 9,98 | 38.1 | 195.9 |
| PP1220.075-350-S | 19,05 (3/4") | 88,9 (3,5") | 21.74 | 6.35 | 23.8 | 34.93 | 8,17 - 9,98 | 38.1 | 195.9 |
| PP1220.075-400-S | 19,05 (3/4") | 101,6 (4") | 21.74 | 6.35 | 23.8 | 34.93 | 8,17 - 9,98 | 38.1 | 195.9 |
| PP1220.075-450-S | 19,05 (3/4") | 114,3 (4,5") | 21.74 | 6.35 | 23.8 | 34.93 | 8,17 - 9,98 | 38.1 | 195.9 |
| PP1220.075-500-S | 19,05 (3/4") | 127 (5") | 21.74 | 6.35 | 23.8 | 34.93 | 8,17 - 9,98 | 38.1 | 195.9 |
| PP1220.075-550-S | 19,05 (3/4") | 139,7 (5,5") | 21.74 | 6.35 | 23.8 | 34.93 | 8,17 - 9,98 | 38.1 | 195.9 |
| PP1220.075-600-S | 19,05 (3/4") | 152,4 (6") | 21.74 | 6.35 | 23.8 | 34.93 | 8,17 - 9,98 | 38.1 | 195.9 |
| PP1220.075-700-S | 19,05 (3/4") | 177,8 (7") | 21.74 | 6.35 | 23.8 | 34.93 | 8,17 - 9,98 | 38.1 | 195.9 |
| PP1220.075-800-S | 19,05 (3/4") | 203,2 (8") | 21.74 | 6.35 | 23.8 | 34.93 | 8,17 - 9,98 | 38.1 | 195.9 |
| PP1220.088-100-S | 22,23 (7/8") | 25,4 (1") | 25.3 | 9.52 | 25.4 | 38.1 | 12,71 - 14,07 | 38.1 | 262.4 |
| PP1220.088-150-S | 22,23 (7/8") | 38,1 (1,5") | 25.3 | 9.52 | 25.4 | 38.1 | 12,71 - 14,07 | 38.1 | 262.4 |
| PP1220.088-200-S | 22,23 (7/8") | 50,8 (2") | 25.3 | 9.52 | 25.4 | 38.1 | 12,71 - 14,07 | 38.1 | 262.4 |
| PP1220.088-250-S | 22,23 (7/8") | 63,5 (2,5") | 25.3 | 9.52 | 25.4 | 38.1 | 12,71 - 14,07 | 38.1 | 262.4 |
| PP1220.088-300-S | 22,23 (7/8") | 76,2 (3") | 25.3 | 9.52 | 25.4 | 38.1 | 12,71 - 14,07 | 38.1 | 262.4 |
| PP1220.088-350-S | 22,23 (7/8") | 88,9 (3,5") | 25.3 | 9.52 | 25.4 | 38.1 | 12,71 - 14,07 | 38.1 | 262.4 |
| PP1220.088-400-S | 22,23 (7/8") | 101,6 (4") | 25.3 | 9.52 | 25.4 | 38.1 | 12,71 - 14,07 | 38.1 | 262.4 |
| PP1220.088-450-S | 22,23 (7/8") | 114,3 (4,5") | 25.3 | 9.52 | 25.4 | 38.1 | 12,71 - 14,07 | 38.1 | 262.4 |
| PP1220.088-500-S | 22,23 (7/8") | 127 (5") | 25.3 | 9.52 | 25.4 | 38.1 | 12,71 - 14,07 | 38.1 | 262.4 |
| PP1220.088-550-S | 22,23 (7/8") | 139,7 (5,5") | 25.3 | 9.52 | 25.4 | 38.1 | 12,71 - 14,07 | 38.1 | 262.4 |
| PP1220.088-600-S | 22,23 (7/8") | 152,4 (6") | 25.3 | 9.52 | 25.4 | 38.1 | 12,71 - 14,07 | 38.1 | 262.4 |
| PP1220.088-650-S | 22,23 (7/8") | 165,1 (6,5") | 25.3 | 9.52 | 25.4 | 38.1 | 12,71 - 14,07 | 38.1 | 262.4 |
| PP1220.088-700-S | 22,23 (7/8") | 177,8 (7") | 25.3 | 9.52 | 25.4 | 38.1 | 12,71 - 14,07 | 38.1 | 262.4 |
| PP1220.088-800-S | 22,23 (7/8") | 203,2 (8") | 25.3 | 9.52 | 25.4 | 38.1 | 12,71 - 14,07 | 38.1 | 262.4 |
| PP1220.100-100-S | 25,4 (1") | 25,4 (1") | 28.96 | 9.52 | 31.75 | 38.1 | 15,88 - 18,15 | 38.1 | 353.0 |
| PP1220.100-150-S | 25,4 (1") | 38,1 (1,5") | 28.96 | 9.52 | 31.75 | 38.1 | 15,88 - 18,15 | 38.1 | 353.0 |
| PP1220.100-200-S | 25,4 (1") | 50,8 (2") | 28.96 | 9.52 | 31.75 | 38.1 | 15,88 - 18,15 | 38.1 | 353.0 |
| PP1220.100-250-S | 25,4 (1") | 63,5 (2,5") | 28.96 | 9.52 | 31.75 | 38.1 | 15,88 - 18,15 | 38.1 | 353.0 |
| PP1220.100-300-S | 25,4 (1") | 76,2 (3") | 28.96 | 9.52 | 31.75 | 38.1 | 15,88 - 18,15 | 38.1 | 353.0 |
| PP1220.100-350-S | 25,4 (1") | 88,9 (3,5") | 28.96 | 9.52 | 31.75 | 38.1 | 15,88 - 18,15 | 38.1 | 353.0 |
| PP1220.100-400-S | 25,4 (1") | 101,6 (4") | 28.96 | 9.52 | 31.75 | 38.1 | 15,88 - 18,15 | 38.1 | 353.0 |
| PP1220.100-450-S | 25,4 (1") | 114,3 (4,5") | 28.96 | 9.52 | 31.75 | 38.1 | 15,88 - 18,15 | 38.1 | 353.0 |
| PP1220.100-500-S | 25,4 (1") | 127 (5") | 28.96 | 9.52 | 31.75 | 38.1 | 15,88 - 18,15 | 38.1 | 353.0 |
| PP1220.100-550-S | 25,4 (1") | 139,7 (5,5") | 28.96 | 9.52 | 31.75 | 38.1 | 15,88 - 18,15 | 38.1 | 353.0 |
| PP1220.100-600-S | 25,4 (1") | 152,4 (6") | 28.96 | 9.52 | 31.75 | 38.1 | 15,88 - 18,15 | 38.1 | 353.0 |
| PP1220.100-700-S | 25,4 (1") | 177,8 (7") | 28.96 | 9.52 | 31.75 | 38.1 | 15,88 - 18,15 | 38.1 | 353.0 |
| PP1220.100-800-S | 25,4 (1") | 203,2 (8") | 28.96 | 9.52 | 31.75 | 38.1 | 15,88 - 18,15 | 38.1 | 353.0 |

PULL PINS