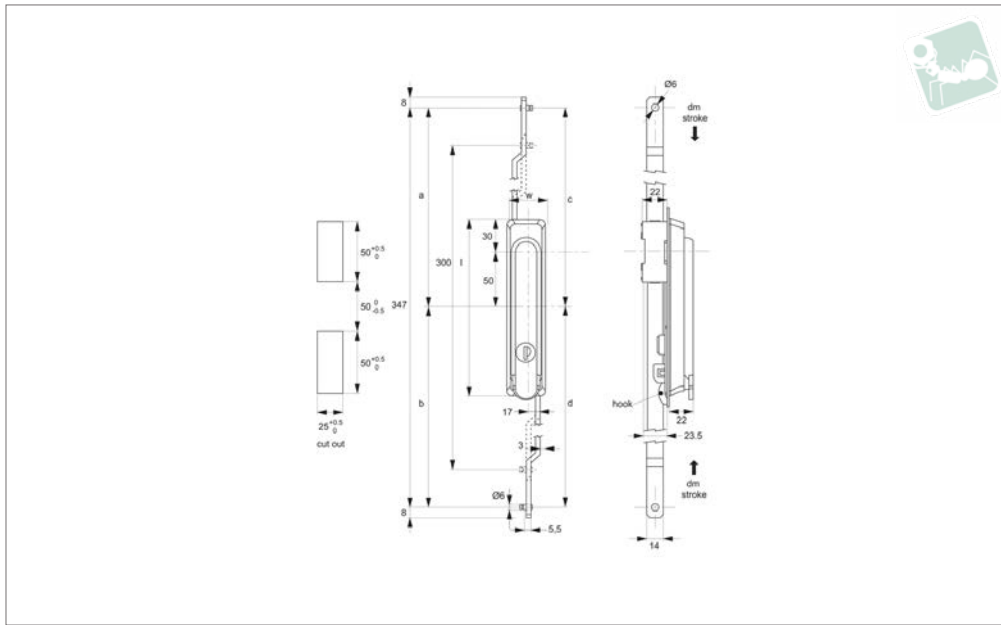




# Swing Handle - with Rod Control

standard cylinder - polyamide

## Latches



**PL0520**

LATCHES

### Material

Body & Handle: polyamide (PA), black.  
 Cylinder lock: die cast zinc, chrome plated.  
 Rod Control Mechanism: die cast zinc.  
**Supplied with:** Keys: two per lock.

**Not supplied:** Rods: order separately.

### Technical Notes

Suitable for two point latching.  
 Not suitable for three point latching.

**Rods & Guides:** CC0340, CC0350, CC0355.

### Tips

Suitable for panel thickness 1 - 2mm.

Order No.	Finish	Latching type	Key type	l	w	lh	a	b	c	d	dm stroke 135°	dm stroke 90°
PL0520.AW0010	Black, Plastic	2-Point	Keyed Alike	160	35	22	123.5	223.5	173.5	173.5	23.5	16