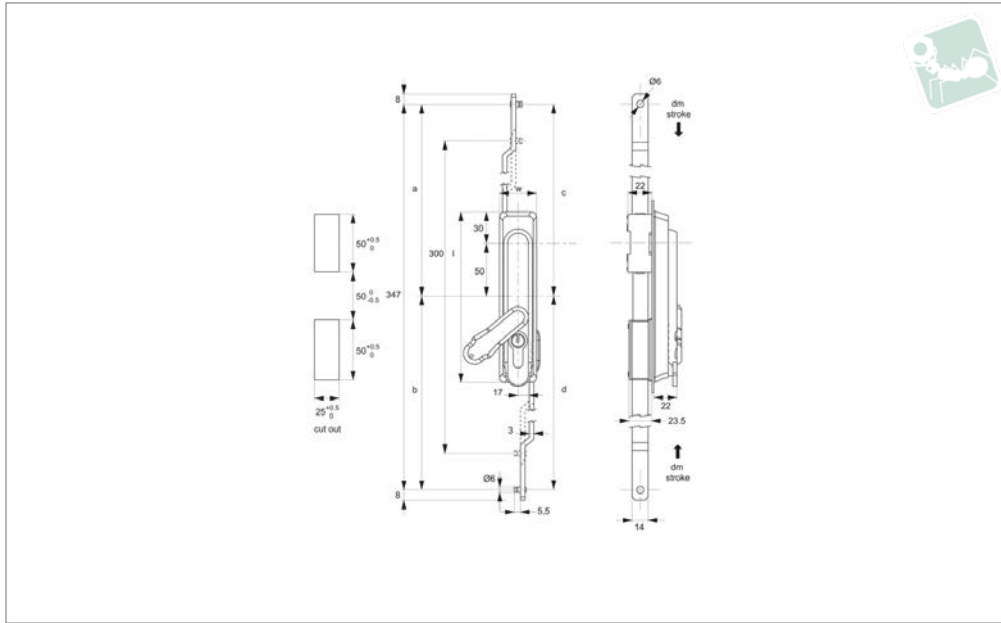




Swing Handles - with Rod Control

40mm euro cylinder lock - dust cover - polyamide

Latches



PL0510

LATCHES

Material

Body & Handle: polyamide (PA), black.
 Cylinder lock: die cast zinc, chrome plated.
 Rod Control Mechanism: die cast zinc.
Supplied with: Keys: two per lock.
Not supplied: Cam: order separately.

Technical Notes

Suitable for two point latching.
 Not suitable for three point latching.

Tips

Also available with radial pin lock, subject

to min. order quantity.

Ideal for electrical cabinets, telecom racks or enclosures max. panel thickness of 2mm. For use inside of cabinet gasket. Universal left/right.

Order No.	Finish	Lock type	Key type	l	w	lh	a	b	c	d	dm stroke 135°	dm stroke 90°
PL0510.M0020	Black, Plastic	40 Euro	Keyed Alike	160	35	23	123.5	223.5	173.5	173.5	23.5	16