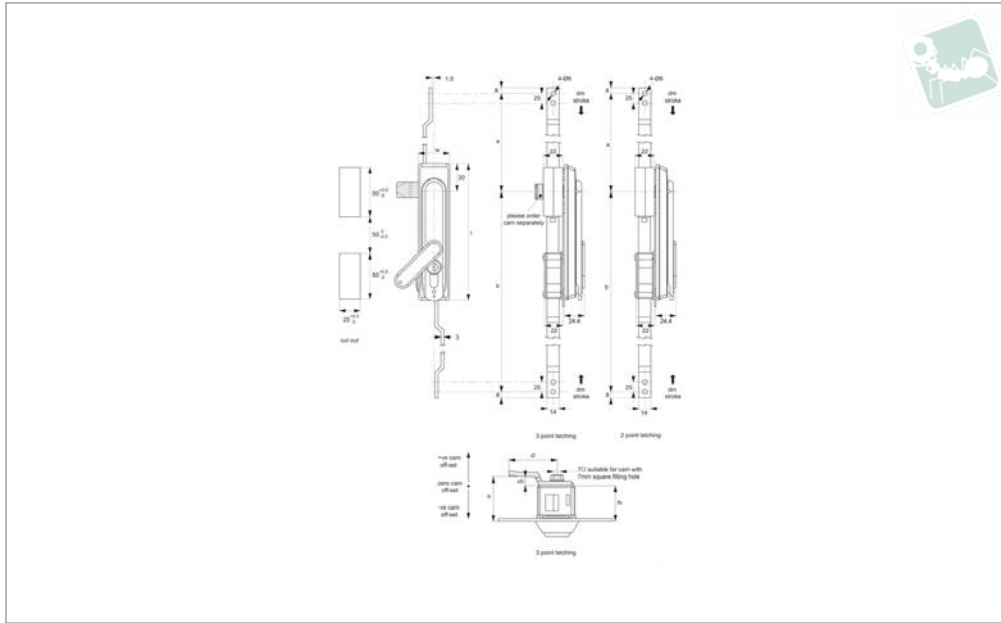




Swing Handles - with Rod Control

40mm euro cylinder lock - dust cover - zinc or poly-

Latches



PL0500

LATCHES

Material

Type One: Body & Handle: die cast zinc, black powder coated.

Type Two: Body: Polyamide PA6, black. Handle: die cast zinc, black powder coated.

Cylinder lock: die cast zinc, chrome plated.

Rod Control Mechanism: die cast zinc.

Supplied with: Keys: two per lock.

Not supplied: Cam: order separately.

Technical Notes

All locks are **keyed alike**.

Order cam separately.

Three point latching model utilises rod control plus a cam.

Two point latching model cannot accommodate a cam.

Cams: see suitable cam . Select „without projection“ cam type.

Dimensions ch and cl relate to cam. Use formula to calculate ch (required cam off-set), and refer to cam selection chart;

ch = h - lh where;

ch = required cam off-set/height.

h = grip length (distance between inside of

latch face and front of cam).

lh = body length of cam latch/lock to be used (see product table below).

Rods & Guides: to achieve 3-point latching - CC0340, CC0350, CC0355.

Tips

90° degree handle rotation combines with rod latch to open or close. Panel thickness 1-4mm. All the cast metal construction provides higher strength.

Order No.	Type	Body	Handle	Latching type	l	Padlockable	w	lh	a	b	dm stroke
PL0500.M0010	One	Zinc	Zinc	2 point	160	No	34	23	122	196	15
PL0500.M0020	One	Zinc	Zinc	2 point	160	Yes	34	23	196	122	15
PL0500.M0310	Two	Polyamide	Zinc	3 point	160	No	34	23	196	122	15
PL0500.M0320	Two	Polyamide	Zinc	3 point	160	Yes	34	23	196	122	15