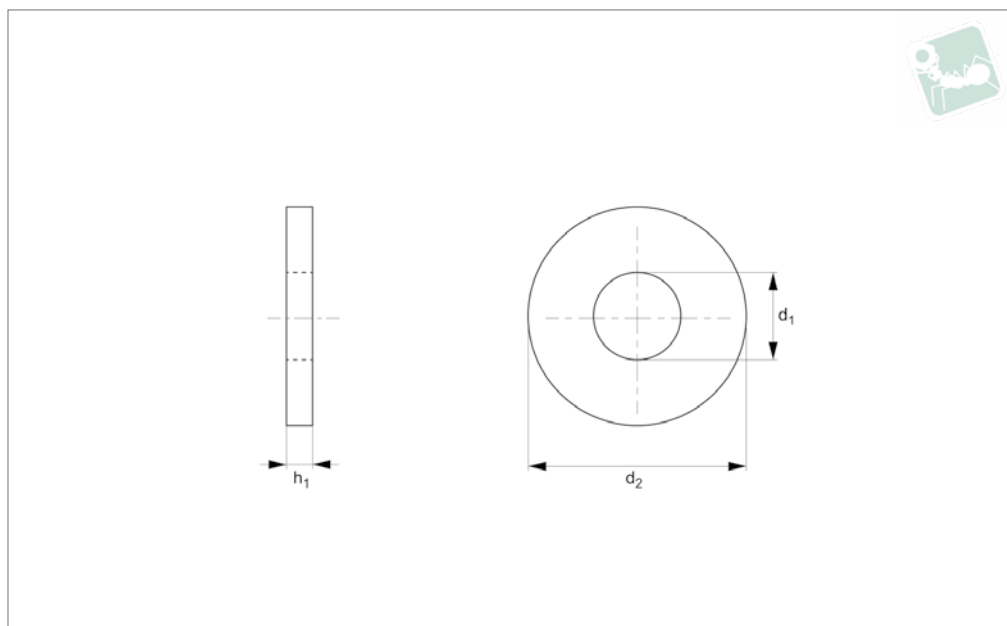




A Plain Washers

Form A, DIN 125 A

Polypropylene



P0330.N2

POLYPROPYLENE

Material

Polypropylene.

To DIN 125 A.

Technical Notes

Polypropylene washers - form A.

Order No.	For thread	d ₁	d ₂	h	Material
P0330.020-N2	M 2	2.2	5	0.3	Polypropylene
P0330.022-N2	M2-5	2.2	5	0.3	Polypropylene
P0330.023-N2	M2,3	2.5	6	0.5	Polypropylene
P0330.025-N2	M2,5	2.7	6	0.5	Polypropylene
P0330.027-N2	M2,5	2.7	6	0.5	Polypropylene
P0330.030-N2	M 3	3.2	7	0.5	Polypropylene
P0330.032-N2	M3	3.2	7	0.5	Polypropylene
P0330.035-N2	M3,5	3.7	8	0.5	Polypropylene
P0330.037-N2	M3,5	3.7	8	0.5	Polypropylene
P0330.040-N2	M 4	4.3	9	0.8	Polypropylene
P0330.043-N2	M4-5	4.3	9	0.8	Polypropylene
P0330.050-N2	M 5	5.3	10	1.0	Polypropylene
P0330.053-N2	M5-3	5.3	10	1.0	Polypropylene
P0330.060-N2	M 6	6.4	12	1.6	Polypropylene
P0330.064-N2	M 6	6.4	12	1.6	Polypropylene
P0330.074-N2	M7-9	7.4	14	1.6	Polypropylene
P0330.080-N2	M 8	8.4	16	1.6	Polypropylene
P0330.084-N2	M8-5	8.4	16	1.6	Polypropylene
P0330.100-N2	M10	10.5	20	2.0	Polypropylene
P0330.250-N2	M24	25	44	4.0	Polypropylene