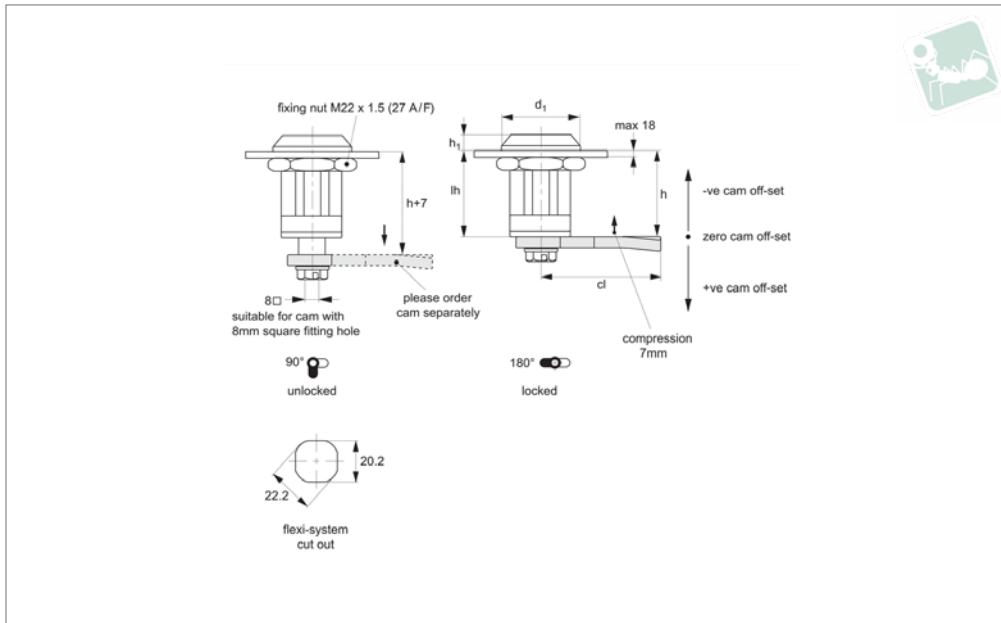




Compression Latches - Flexi-System

insert driver - fixed grip - zinc



CC0800

LATCHES

Material

Body & insert: die cast zinc, finished in chrome plate or black powder coating.
Insert fitted with O'ring to provide IP54 rating.

Handle: polyamide.

Not supplied: CAM nor KEY - order separately.

Technical Notes

Order cam and key separately.

Cams: see suitable cam CC0020 and .

Select „without projection“ cam type.

Dimensions ch and cl relate to cam. Use formula to calculate ch (required cam off-set), and refer to cam selection chart;

$ch = h - lh$ where;

ch = required cam off-set/height.

h = grip length (distance between inside of latch face and front of cam).

lh = body length of cam latch/lock to be used (see product table below).

Keys: see CC0010.

Tips

Compression locks provide sealing of enclosures to reduce vibration and to provide noise isolation.

Action:

From unlocked position, first 90° turn moves the cam to the locking position. Turn lock 180° to engage compression, cam moves to final fixing position.

Provides a 7mm compression stroke.

| Order No. | Finish | Insert driver | d_1 | h_1 | lh |
|--------------|---------------|---------------|-------|-------|------|
| CC0800.M0020 | Chrome Plated | Square 8 | 28 | 5.5 | 31 |
| CC0800.M0320 | Black Coated | Square 8 | 28 | 5.5 | 31 |
| CC0800.M0040 | Chrome Plated | Triangle 7 | 28 | 5.5 | 31 |
| CC0800.M0340 | Black Coated | Triangle 7 | 28 | 5.5 | 31 |
| CC0800.M0050 | Chrome Plated | Triangle 8 | 28 | 5.5 | 31 |
| CC0800.M0350 | Black Coated | Triangle 8 | 28 | 5.5 | 31 |
| CC0800.M0080 | Chrome Plated | Slot (2x4) | 28 | 5.5 | 31 |
| CC0800.M0380 | Black Coated | Slot (2x4) | 28 | 5.5 | 31 |
| CC0800.M0085 | Chrome Plated | Hexagon 8 | 28 | 5.5 | 31 |
| CC0800.M0385 | Black Coated | Hexagon 8 | 28 | 5.5 | 31 |

