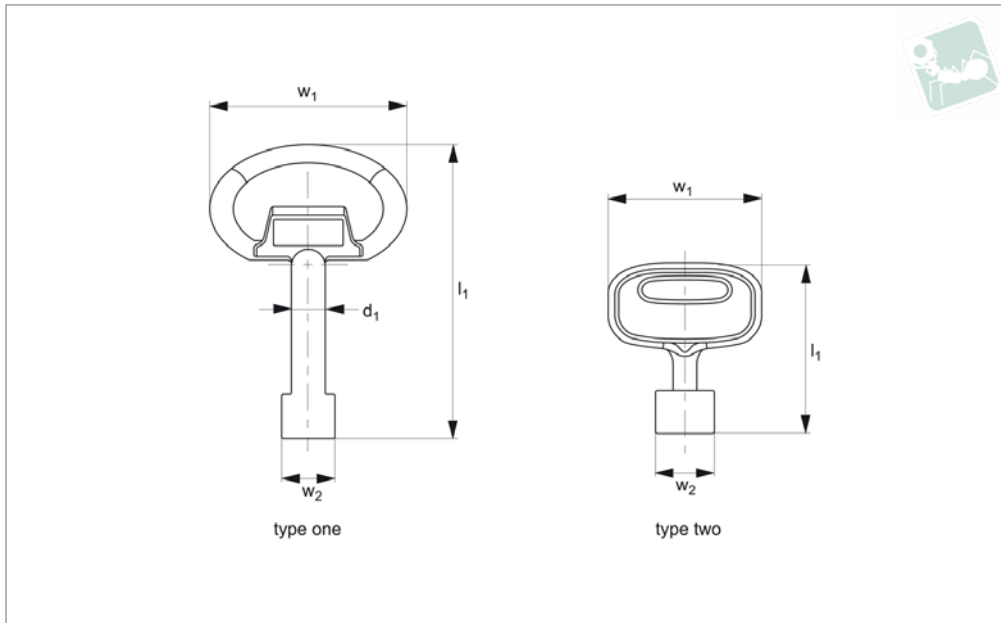




# Keys - Flexi-System

for cam latches and locks - zinc

## Latches



**CC0010**

LATCHES

### Material

Die cast zinc.

### Technical Notes

Keys for our range of cam latches. For slot

type cam latches no special key required - simply use flat head screwdriver.

Note: For part .AW0006 (Square 6) use key CC0010.AW0206 only.

### Important Notes

Sold subject to pack quantity.

Order No.	Insert driver	Type	d <sub>1</sub>	l <sub>1</sub>	w <sub>1</sub>	w <sub>2</sub>
CC0010.M0006	Square 6	Type One	9	74.5	49	13.8
CC0010.M0010	Square 7	Type One	9	74.5	49	13.8
CC0010.M0020	Square 8	Type One	9	74.5	49	13.8
CC0010.M0040	Triangle 7	Type One	9	74.5	49	13.8
CC0010.M0050	Triangle 8	Type One	9	74.5	49	13.8
CC0010.M0055	Triangle 9	Type One	9	74.5	49	13.8
CC0010.M0060	3mm Double Bit	Type One	9	70.0	49	13.2
CC0010.M0090	8mm Hex Pin	Type One	9	74.5	49	13.8
CC0010.M0100	10mm Hex Socket	Type One	9	74.5	49	13.8
CC0010.M0306	Square 6	Type two	9	32.0	30	11.0

Available insert drivers:

Square 6	Square 7	Square 8	Triangle 7	Triangle 8	Triangle 9	3-5mm Double Bit	Hexagon 8 with pin	10mm Hex. Socket	2 x 4mm Slotted
6	7	8	6.5	8	9	∅ 3-5	8	10	